

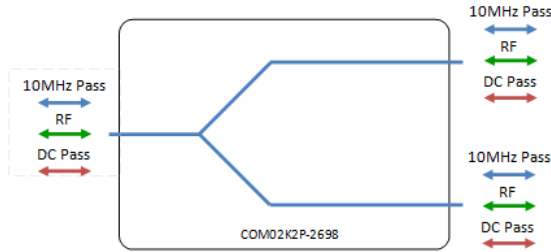


Model Number:  
**COM02K2P-2698**

RF Components

# 2-Way KU-Band Passive Splitter/Combiner

## 10-15 GHz



Available with RF connector options:

- 50 Ω SMA
- 50 Ω N-Type



**10-15 GHz**  
Operating frequency range.



**Compact**  
Housed in rugged compact enclosure

Passive

RF Parameters			
COM02K2P-2698-XXXX		S5S5	N5N5
Frequency Range		10 - 15 GHz	
RF Connectors		50Ω SMA	50Ω N-Type
Mean Insertion Loss (dB)	Max	0.8	1 ± 0.1
Input Return Loss (dB)	Typ.	22	16
	Min	13	14
Output Return Loss (dB)	Typ.	22	17
	Min	13	15
Isolation (dB)	Typ.	25	18
	Min	18	16
Amplitude Balance (dB)		≤ ± 0.4	≤ ± 0.3
Phase Balance (Φ)		≤ ± 5°	≤ ± 5°
The given Insertion Loss specified is the loss above the theoretical limit for a lossless divider			

### Broadcast



### Marine Oil & Gas



### SNG & VSAT



### Satellite Teleport



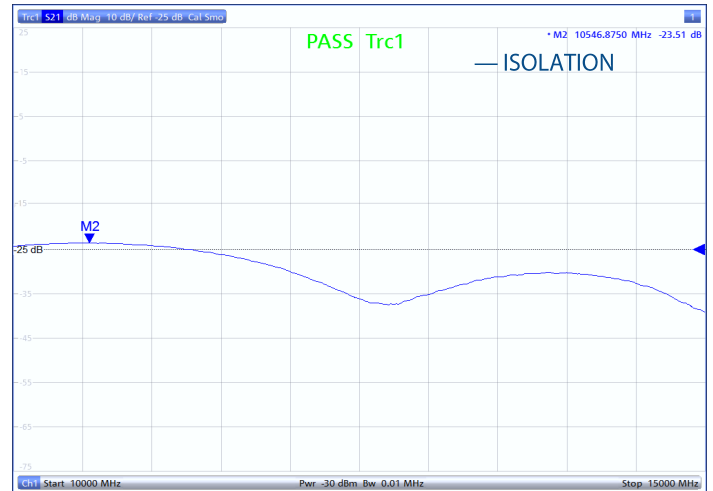
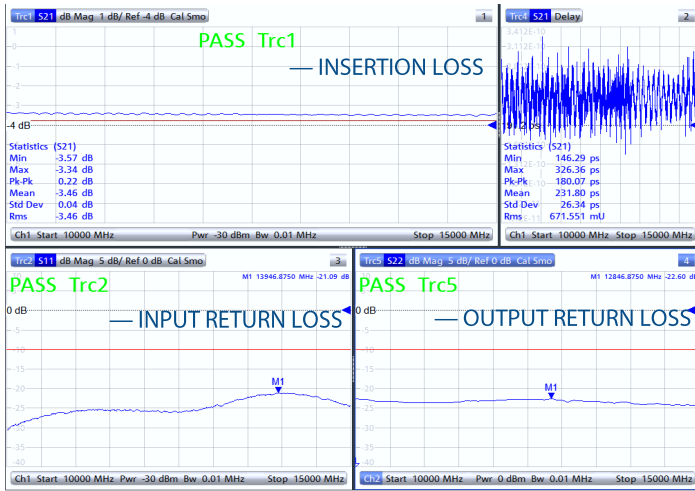


RF Components

Model Number:  
**COM02K2P-2698**

2-Way KU-Band Passive Splitter/Combiner

Technical specifications and operating parameters

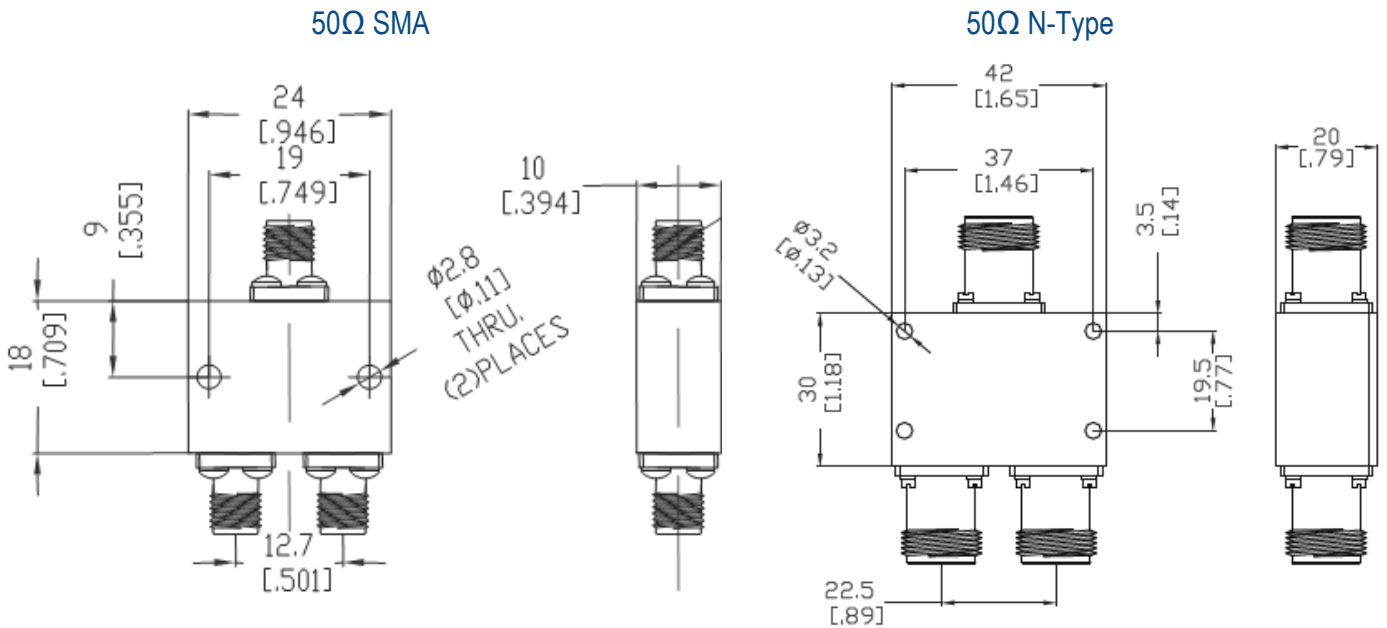


Environmental	
Operating Temperature	-40C to +70°C
Storage Temperature	-45°C to +85°C
Location	Indoor use Only
Humidity	Max 95%RH at 40°C
Altitude	Max 10,000 feet

Max Operating Parameters	
Power Handling	30 Watt (Forward Power); 1 Watt (Reverse Power)
DC Voltage	N/A
DC Current	N/A

! Operation beyond these limits may cause instantaneous and permanent damage.

Physical Dimensions (±0.3mm)



Note: The specification is subject to regular reviews and will be updated from time to time as part of our continuing product development and improved specification accuracy.

ETL SYSTEMS LIMITED  
Coldwell Radio Station  
Madley  
Hereford  
England HR2 9NE

TELEPHONE  
+44 (0)1981 259020  
  
EMAIL  
info@etlsystems.com

FACSIMILE  
+44 (0)1981 259021  
  
WEB  
www.etlsystems.com

